



# **SPARE PARTS**

## **FOR EXISTING EQUIPMENT**

---

# **NONWOVEN DIVISION**

Valco Melton World Headquarters: Ohio, Cincinnati, USA | Tel: +1 513 874 6550 | Fax: +1 513 874 3612

Valco Melton European Headquarters: Orkoien, Navarra, Spain | Tel: +34 948 321 580 | Fax: +34 948 321 584  
email: [info@valcomelton.es](mailto:info@valcomelton.es) | [www.valcomelton.com](http://www.valcomelton.com)



# 01

SPEEDCOAT  
COMPATIBLE MODULE

# 02

UN25 COMPATIBLE  
MODULE

# 03

CF PAD COMPATIBLE  
MODULE

# 04

COMPATIBLE FILTERS

# 05

COMPATIBLE HOSES

# 06

EXTENSION CABLES

# 07

GEAR PUMPS



Nordson® is a registered trademark of Nordson Corporation.  
ITW® is a registered trademark of Illinois Toolworks.  
Meltex® is a registered trademark of Nordson Corporation.

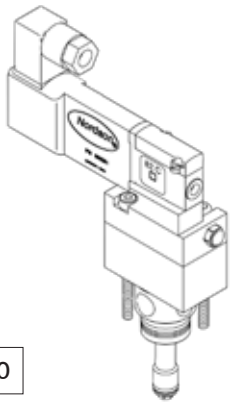
Valco Melton® is not affiliated with any of the above  
companies in any maner.  
Valco Melton® parts are neither genuine OEM parts nor  
authorized by the above companies.

# 01

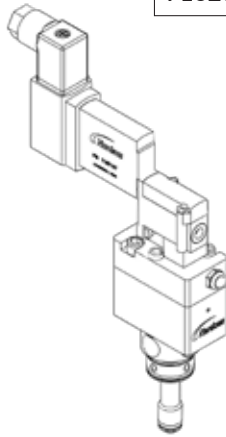
## SPEEDCOAT COMPATIBLE MODULE 919XX025-919XX026

### Compatibility General Notes

7103660



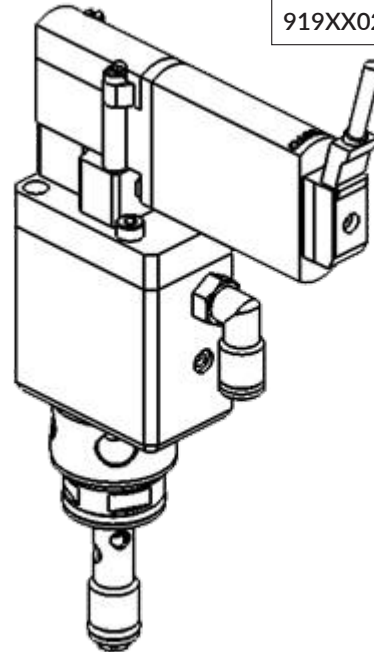
7162040 & 7162080



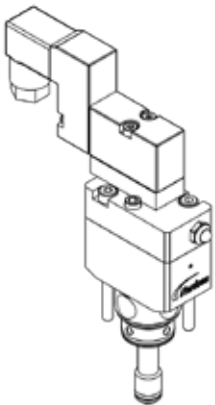
Nordson® Solenoid Boosted Versions:

- 7103660 / 7162040 / 7162080  
“Control module, SC, 24V booster” → **replaced** by our 919XX025. These modules feature a special solenoid that generates its own voltage peak in order to increase the module response time (Boosted)

Valco Melton SC Module  
(Boosted & Non-Boosted)  
919XX025 & 919XX026



7103670  
7162060  
7162090



Nordson® Solenoid Non-Boosted Version:

- 7103670 / 7162060 / 7162090  
“Control module, SC, 24/48V, ES 70” → **replaced** by 919XX026. These modules feature a solenoid that does not have the peak generation capability (Non-Boosted)

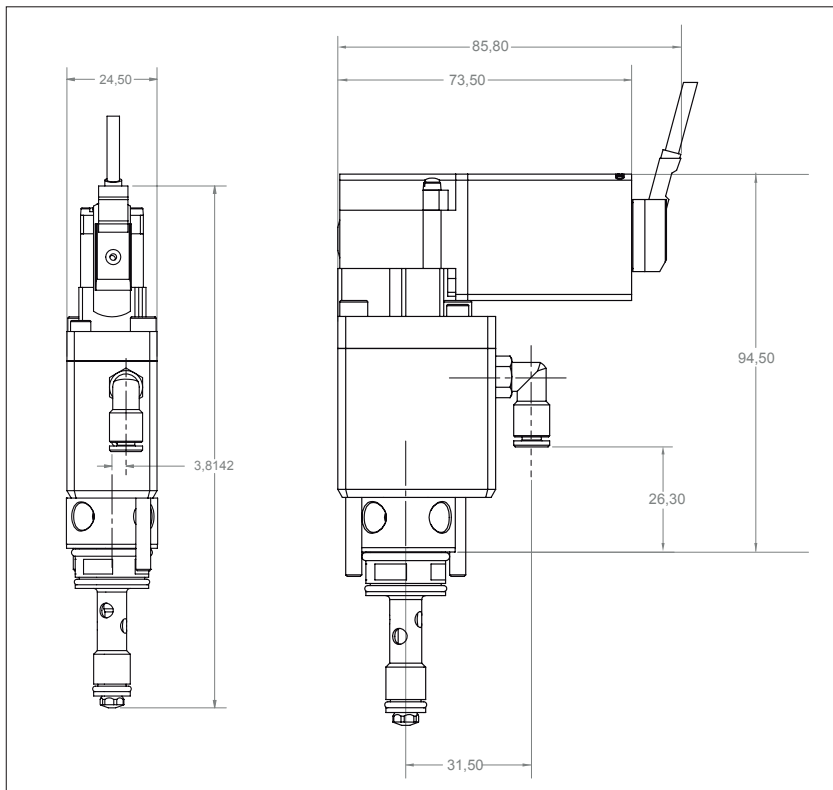
Our solenoid, both in our Boosted and Non-Boosted versions are almost identical to the solenoids used for the boosted version on the SC module.

### IMPORTANT NOTES:

- We supply the modules with the same electrical IP54 connector we use on the MI-III modules. An electrical adapter (912XX521) is included in the kit so the module can be connected to the original DIN connectors that Nordson® is providing.
- Our compatible modules do not support Optistroke® technology.

Nordson® uses a solenoid model/supplier for the 7103660, 7162040 and 7162080 (Boosted Versions) and another model/supplier for the 7103670, 7162060 and 7162090 (Non-Boosted Versions).

# DIMENSIONS

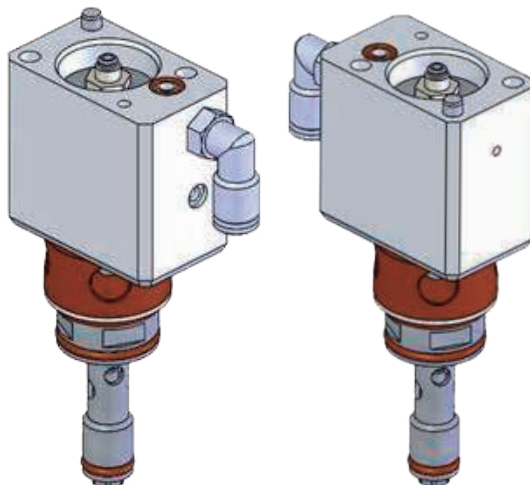


\* The air fitting is at the same position as in the original so there is no need to modify the pneumatic connections.



Our Needle Stroke is 0.3mm

## 900XX381 FULL MODULE SERVICE KIT



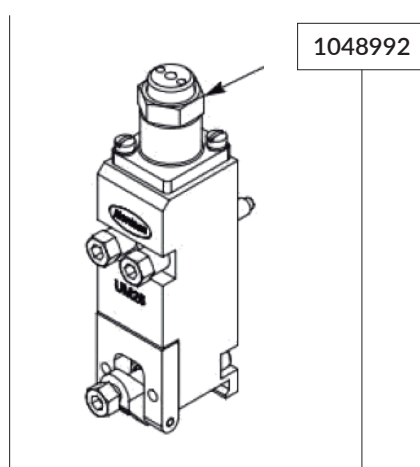
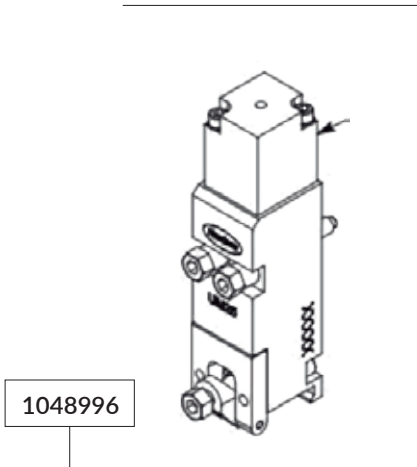
This kit is the full module but without the module cover. It only requires the cover and the solenoid of the old module to be removed and installed on this kit to have a brand-new module.

Only valid for our module and it's not compatible.

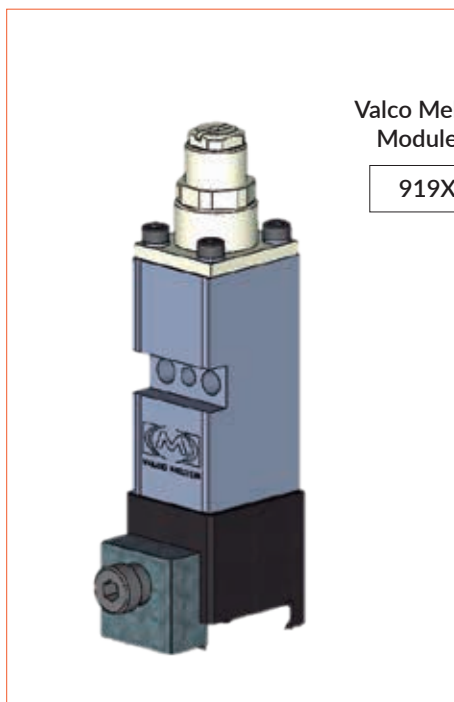
# 02

## UM25 & UM22 COMPATIBLE MODULE 919XX030 & ND1048999

### UM25® Compatibility General Notes



- 1048992 UM 25 Universal Module / 1048996 UM25 Universal Module Fixed Cap → **replaced** by our 919XX030.
- Nordson® Blank Module 1098010 → **replaced** by our 988XX087.



Valco Melton UN25  
Module Version

919XX030

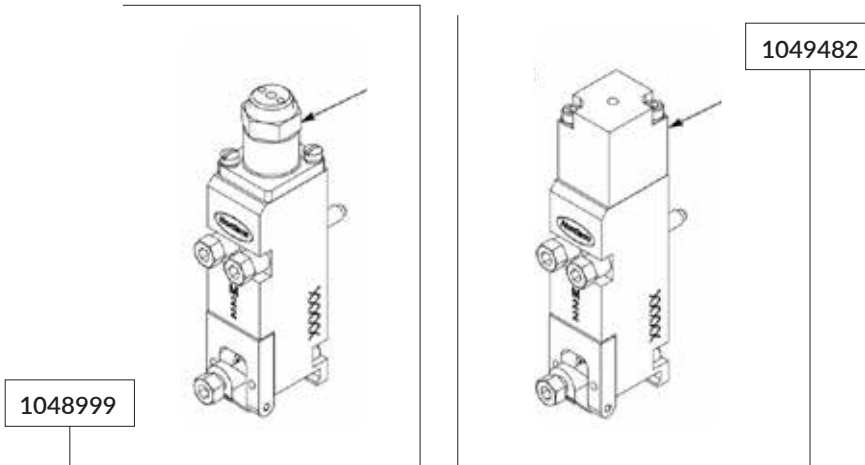
### IMPORTANT NOTES:

- We supply the same model to cover both the UM25® adjustable and fixed cap.
- Our recommended operating pneumatic pressure for intermittent operation is from 5 to 6 bar (75 to 90 psi).

• Our module Tip (Nozzle Holder) is made of Stainless Steel. » Nordson's module tip is made of Aluminum.

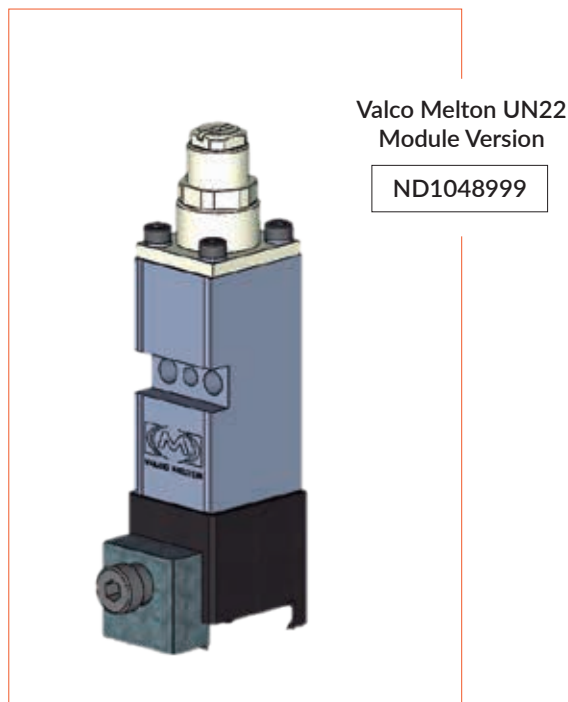
• Our module features a 2 section build, which allows the tip (Nozzle Holder) to be replaced. » In the originals, if anything happens to the nozzle holder, customers have to replace the complete module body.

## UM22® Compatibility General Notes



- 1048999 UM22 Universal Module / 1048996 UM22 Universal Module Fixed Cap → **replaced** by our ND1048999.

- Nordson® Blank Module 1063255 → **replaced** by our 988XX087.



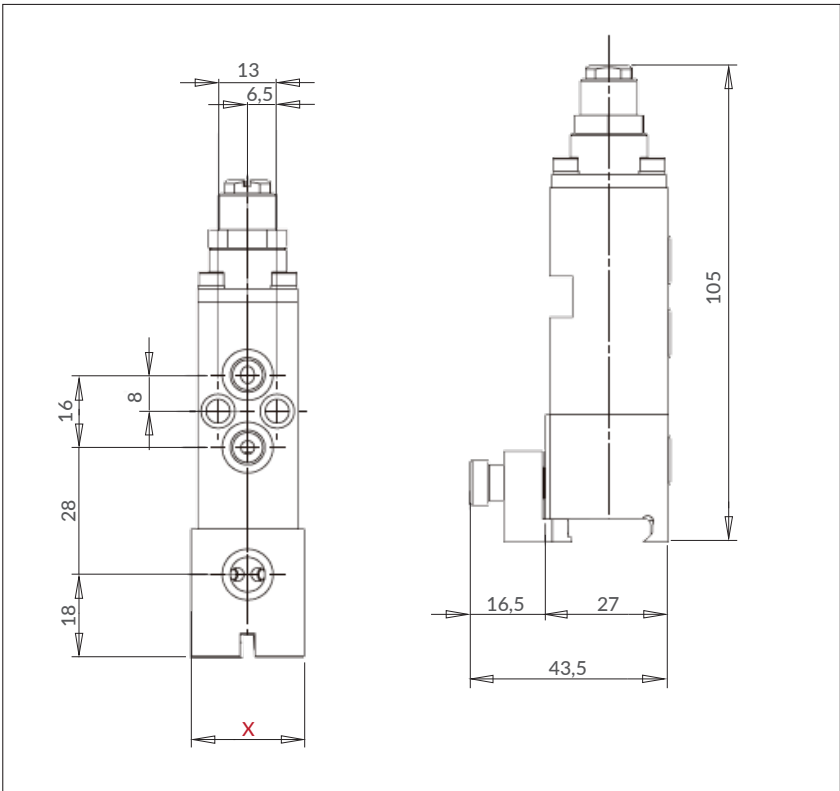
### IMPORTANT NOTES:

- We supply the same model to cover both the UM22® adjustable and fixed cap.
- Our recommended operating pneumatic pressure for intermittent operation is from 5 to 6 bar (75 to 90 psi).
- Our Module has the same height as the UM22®

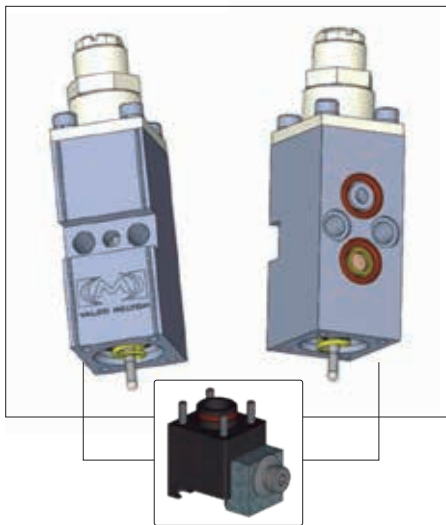
- Our module Tip (Nozzle Holder) is made of Stainless Steel. » Nordson's module tip is made of Aluminum.

- Our module features 2 sections build up, with allows the tip (Nozzle Holder) to be replaced. » In the originals, if anything happens to the nozzle holder, customers have to replace the complete module body.

# DIMENSIONS



## 919XX200 FULL MODULE SERVICE KIT

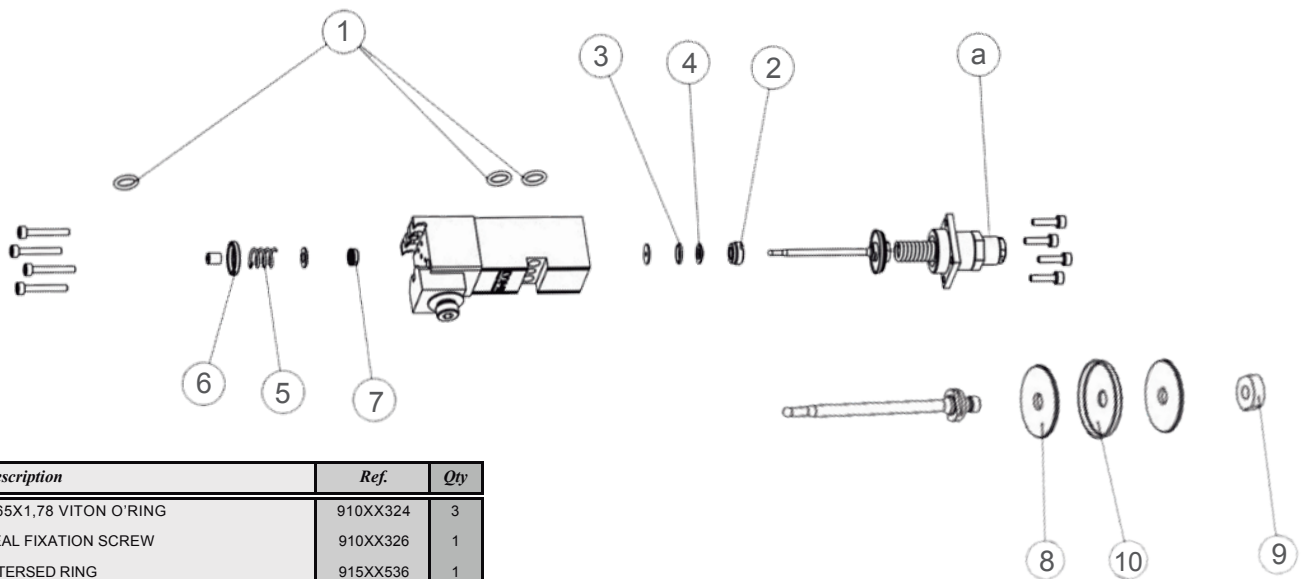


This kit is the full module but without the tip (Part 19 of the General Module Assembly) It only requires the tip of the old module to be removed and installed on this kit to have a brand-new module.

Only valid for our module version and it's not compatible, it fits both, UN25 & UN22.

**\*NOTE:** The module tip can be purchased separately, 900XX325 for UM25 & 900XX326 for UM22

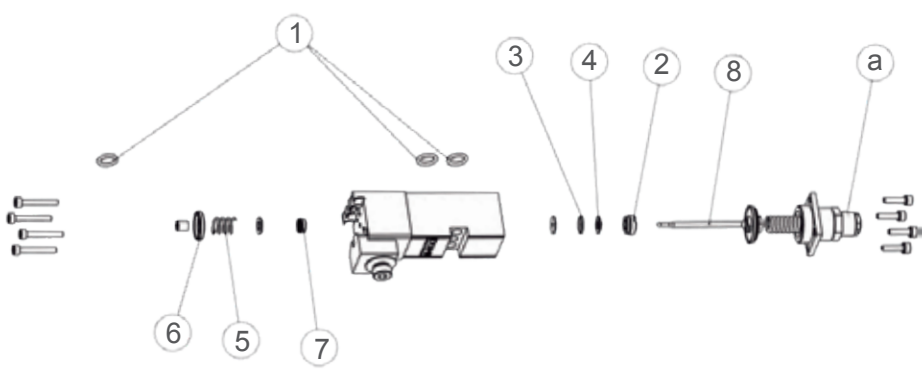
# 918XX036 | MINOR REPAIR SERVICE KIT



N°	Description	Ref.	Qty
1	7,65X1,78 VITON O'RING	910XX324	3
2	SEAL FIXATION SCREW	910XX326	1
3	INTERSED RING	915XX536	1
4	NEEDLE FORMED SEAL		1
5	BOTTOM SPRING	914XX513	1
6	12X2 VITON O'RING	910XX049	1
7	SEAL	913XX346	1
8	EMI II PISTON PLATE		2
9	PISTON NUT		1
10	PISTON SEAL		1
11	PISTON SEAL		1

N°	Description	Ref.
a	MODULE SPRING ADJUSTMENT CAP (not included on the Kit)	914XX868

# 916XX228 | MAJOR REPAIR SERVICE KIT

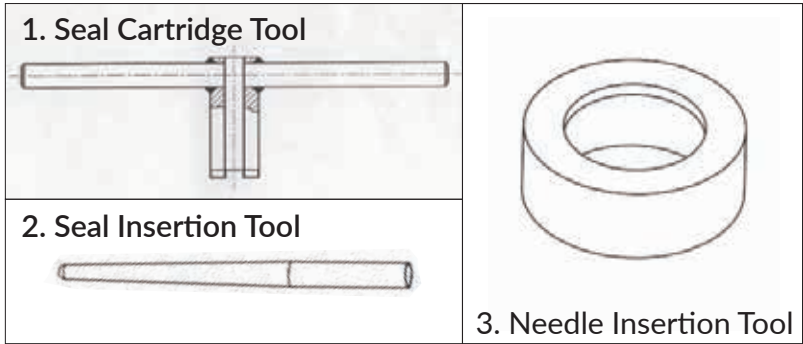


N°	Description	Ref.	Qty
1	7,65X1,78 VITON O'RING	910XX324	3
2	SEAL FIXATION SCREW	910XX326	1
3	INTERSED RING	915XX536	1
4	NEEDLE FORMED SEAL		1
5	BOTTOM SPRING	914XX513	1
6	12X2 VITON O'RING	910XX049	1
7	SEAL	913XX346	1
8	EMI II PISTON ASSEMBLY	917XX947	1

N°	Description	Ref.
a	MODULE SPRING ADJUSTMENT CAP (not included on the Kit)	914XX868

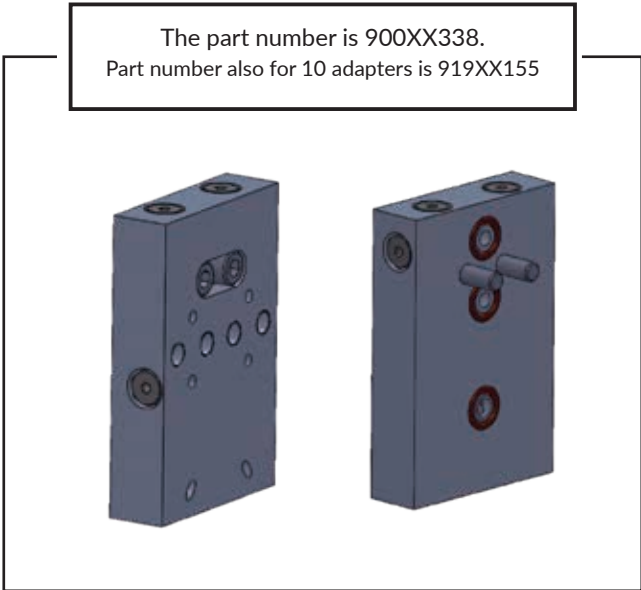


988XX073 | REPAIR TOOLS KIT



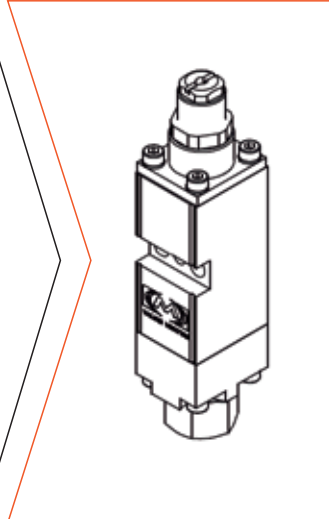
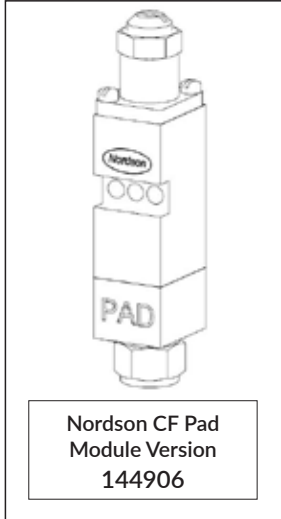
UM50® ADAPTER

- UM50® Nordson® modules are normally offered to customers as an option to reduce the initial investment in relatively wide spray continuous applications as they typically price about a 40% more than the UM25®, and the number of modules required is half.
- We are finding customers not happy with having to deal with two different Universal Modules models in their lines, and would be happy if they could just use one model: the original UM25® or our compatible version, or our BAT25 module with our different Nozzles.
- We have created an adapter that is placed instead of the UM50 module and allows to work with 2 25mm modules instead:



## CF PAD COMPATIBLE MODULE 919XX201

### Compatibility General Notes



#### IMPORTANT NOTES:

- Our Service Kits are only valid for our module version and are not compatible.
- For the CF Module service kits and tools kit check the UM25® or the UM22® Compatible Module Section. They are the same.
- Nordson® Blank Module 1063255 is replaced by our 988XX087

### NORDSON CF UNIBODY COMPATIBLE NOZZLES



Nordson PN#	Description	Valco Melton PN#
756951	Swirl spray nozzle, unibody, 0.010 in. (0.25mm)	977XX109
152168 - 753488	Swirl spray nozzle, unibody, 0.012 in. (0.30mm)	977XX101
152169 - 753489	Swirl spray nozzle, unibody, 0.014 in. (0.35mm)	977XX102
152170 - 753491	Swirl spray nozzle, unibody, 0.016 in. (0.40mm)	977XX103
152171 - 753492	Swirl spray nozzle, unibody, 0.018 in. (0.45mm)	977XX104
152172 - 753493	Swirl spray nozzle, unibody, 0.020 in. (0.50mm)	977XX105
156698 - 753494	Swirl spray nozzle, unibody, 0.024 in. (0.60mm)	977XX106
152173 - 753495	Swirl spray nozzle, unibody, 0.030 in. (0.75mm)	977XX107
162500 - 753496	Swirl spray nozzle, unibody, 0.04 in. (1.00mm)	977XX108
181927	Swirl spray nozzle, wide unibody, 0.012 in. (0.30mm)	977XX401
1046150 - 185533	Swirl spray nozzle, wide unibody, 0.018 in. (0.45mm)	977XX402
1046151 - 1046159	Swirl spray nozzle, wide unibody, 0.020 in. (0.50mm)	977XX403
1046152	Swirl spray nozzle, wide unibody, 0.024 in. (0.60mm)	977XX404
1046156 - 1046160	Swirl spray nozzle, wide unibody, 0.030 in. (0.75mm)	977XX405
	Swirl spray nozzle, wide unibody, 0.04 in. (1.00mm)	977XX406
	Swirl spray nozzle, wide unibody, 0.014 in. (0.35mm)	977XX407
	Swirl spray nozzle, wide unibody, 0.05 in. (1.25mm)	977XX409
755957	Swirl spray nozzle, 12 orifice, unibody, 0.012 in. (0.30mm)	977XX501
756307	Swirl spray nozzle, 12 orifice, unibody, 0.016 in. (0.40mm)	977XX503
755530 - 1029039	Swirl spray nozzle, 12 orifice, unibody, 0.018 in. (0.45mm)	977XX503
756309 - 1043042	Swirl spray nozzle, 12 orifice, unibody, 0.020 in. (0.50mm)	977XX504
756309	Swirl spray nozzle, 12 orifice, unibody, 0.024 in. (0.60mm)	977XX505
756115	Swirl spray nozzle, 12 orifice, unibody, 0.030 in. (0.75mm)	977XX506
	Swirl spray nozzle, 12 orifice, unibody, 0.040 in. (1.00mm)	977XX600

# 04

## COMPATIBLE FILTERS

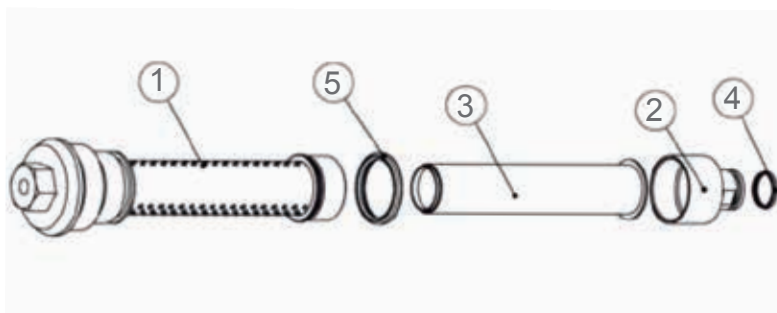
### 04.1 Nordson® Meltex® Tanks Compatible Filters

- Our mesh sizes are not exactly as the Meltex® Please verify with the customer that proposed mesh sizes are ok.
- There are kits available which include the Filter Sleeve and the O-rings (Not listed here) O-Rings are listed below separately.

#### REPLACEMENT CHART

N°	Valco Melton Description	Nordson® Description	VM Ref.	Qty	Nordson® PN
1	TANK FILTER BODY		912XX323	1	
2	TANK FILTER BODY LID		911XX324	1	
3	TANK FILTER SLEEVE 0.450mm	FILTER SLEEVE MW0,6 MX	919XX661	1	253859
3	TANK FILTER SLEEVE 0.290mm	FILTER SLEEVE MW0,4 MX	912XX325	1	253860
3	TANK FILTER SLEEVE 0.152mm	FILTER SLEEVE MW0,2 MX	916XX477	1	253839
3	TANK FILTER SLEEVE 0.042mm	FILTER SLEEVE MW0,1 MX	919XX942	1	253857
4	VITON O-RING Ø18X2 (Pack of 10)	VITON O-RING Ø18X2 (Pack of 10)	910XX815	1	250259
5	VITON O-RING Ø33X3,5	VITON O-RING Ø33X3,5	914XX271	1	250268

N°	Valco Melton Description	Nordson® Description	VM Ref.	Qty	Nordson® PN
	FULL FILTER ASSY 0.450mm	COMPLETE FILTER CARTIDGE 0.6	919XX662	1	253878
	FULL FILTER ASSY 0.290mm	COMPLETE FILTER CARTIDGE 0.4	918XX034	1	253877
	FULL FILTER ASSY 0.152mm	COMPLETE FILTER CARTIDGE 0.2	919XX663	1	253838
	FULL FILTER ASSY 0.042mm	COMPLETE FILTER CARTIDGE 0.1	919XX941	1	253876

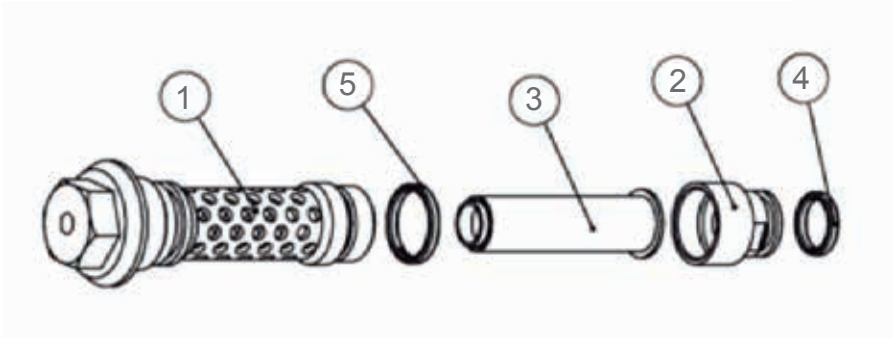


## 04.2 Nordson® Meltex® EP Compatible Filters

- Our mesh sizes are not exactly as the Meltex® Please verify with the customer that proposed mesh sizes are ok.
- There are kits available which include the Filter Sleeve and the O-rings (Not listed here) O-Rings are listed below separately.
- This Filters are mainly used on EP11 and EP45 Meltex® Applicators

N°	Valco Melton Description	Nordson® Description	VM Ref.	Qty	Nordson® PN
1	FILTER BODY		912XX370	1	
2	FILTER BODY CAP		910XX615	1	
3	FILTER SLEEVE 0.290mm	FILTER SLEEVE MW0,2	912XX369	1	254554
	FILTER SLEEVE 0.152mm	FILTER SLEEVE MW0,1	916XX476	1	254553
4	VITON O-RING Ø12X2 (x10)	VITON O-RING Ø12X2 (x10)	910XX049	1	250253
5	VITON O-RING Ø16X2 (x10)	VITON O-RING Ø16X2 (x10)	914XX082	1	250257

N°	Valco Melton Description	Nordson® Description	VM Ref.	Qty	Nordson® PN
	FULL FILTER ASSY 0.290mm	COMPLETE FILTER CARTIDGE 0.2	918XX033	1	413868
	FULL FILTER ASSY 0.152mm	COMPLETE FILTER CARTIDGE 0.1	919XX664	1	410874



# 04.3 Nordson® Versa - AltaBlue® TanksCompatible Filters

- We offer compatible Filter Sleeves for the Altablue and Versablue tanks.
- The part we have is the one marked as number 6 in *fig 1* and number 2 in *fig 2*.
- Nordson® is normally selling a kit which includes the parts 7&6 of *fig. 1* and 1&2 of *fig. 2* so they are including the Filter Sheath in their kit but this part is rarely worn by use.

Fig 1: Filters from April 2012

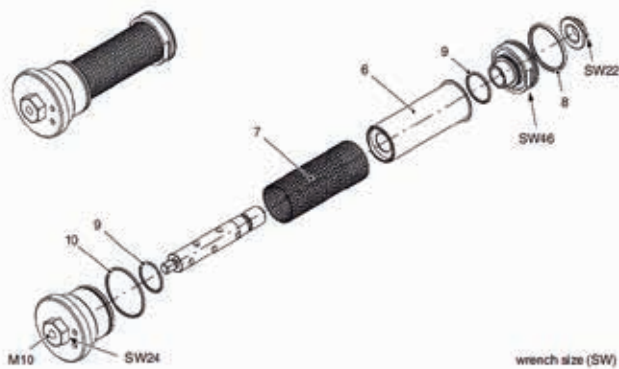
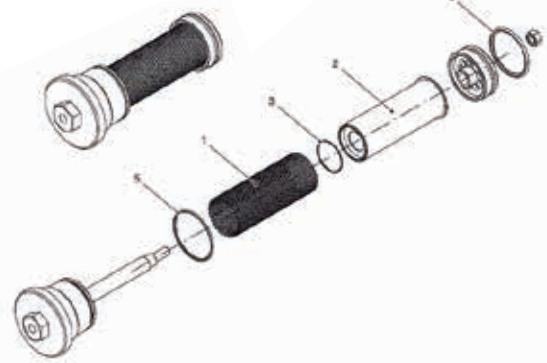


Fig 2: Filters until April 2012



## REPLACEMENT CHART

FILTER SLEEVE VB MW0,2 L104 REINFORCED		
VALCO MELTON #PN	NORDSON® DIRECT REPLACEMENT	KITS AND FILTERS HAVING THIS FILTER SLEEVE
ND7104267	7104267	394200
		394590
		1120137
		7157673
		7104658
		7104265

## O-RINGS USED IN THIS FILTERS

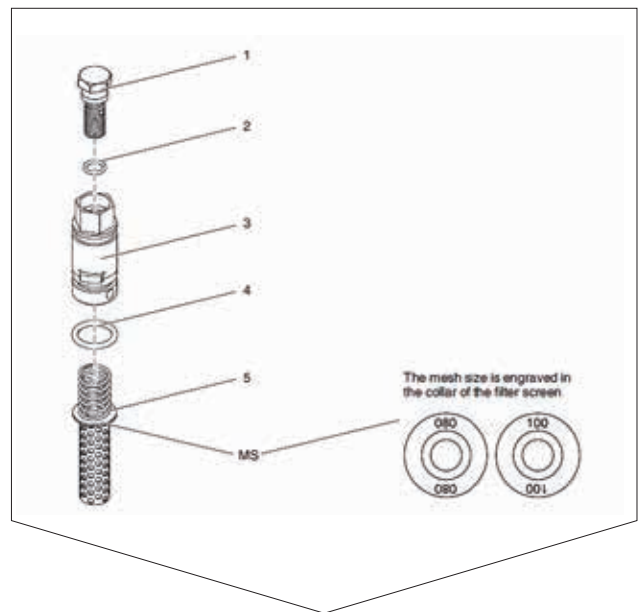
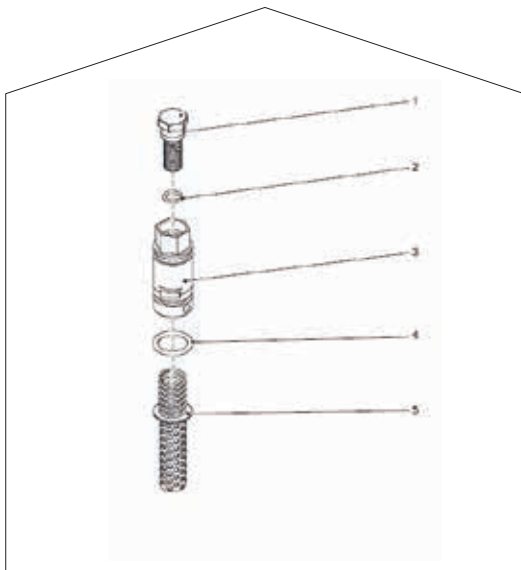
Kit and Filters from April 2012			
Viton O-Ring 28x2	Fig1 Part 9 (x2)	253690	900XX322
Viton O-Ring 44x3	Fig2 Part 4	250273	900XX323
Viton O-Ring 48x2	Fig2 Part 5	257262	910XX342

Kit and Filters until April 2012			
Viton O-Ring 31x1	Fig2 Part 3	394203	900XX324
Viton O-Ring 44x3	Fig2 Part 4	250273	900XX323
Viton O-Ring 48x2	Fig2 Part 5	257262	910XX342

# 04.4 Nordson® applicators compatible filters

## NORDSON® TRUCOAT® PART NUMBERS

Nordson PN#	Description	Valco Melton PN#	Comments	Item
206461	Filter sleeve, mesh size 0.1, with spring	ND206461	For Nordson filter 465703	5
7103615	Filter sleeve, MW0,1 100mm long w/spring	ND7103615	For Nordson filter 7103614	5
7103617	Filter sleeve, MW0,2 100mm long w/spring	ND7103617	For Nordson filter 7103616	5
252346	O-ring, 8x1.5 (Single Unit Pack)	914XX278	Pack of 10	2
250258	O-ring, 17x2.5 (Single Unit Pack)	914XX904	Pack of 10	4



## NORDSON® SPEEDCOAT® PART NUMBERS

Nordson PN#	Description	Valco Melton PN#	Comments	Item
462998	Filter sleeve, mesh size 0.08, with spring	ND462998	For Nordson filter 465447	5
206461	Filter sleeve, mesh size 0.1, with spring	ND206461	For Nordson filter 465703	5
252346	O-ring, 8x1.5 (Single Unit Pack)	914XX278	Pack of 10	2
250258	O-ring, 17x2.5 (Single Unit Pack)	914XX904	Pack of 10	4

## NORDSON® UNIVERSAL® PART NUMBERS

Nordson PN#	Description	Valco Melton PN#	Comments
1049208	Filter Sleeve Screen, 0.006 in. Mesh	ND1049208	For Nordson filter 1049206

# 04.5 Dynatec® compatible filters

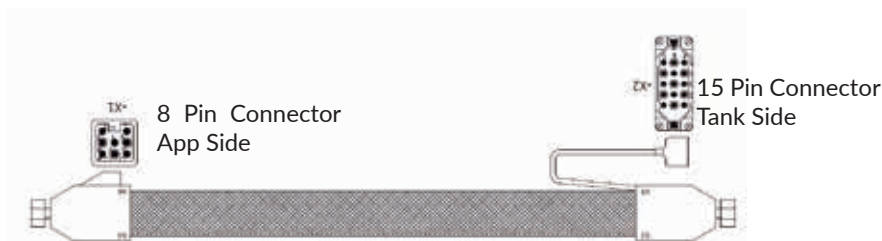
Dynatec® PN#	Description	Valco Melton PN#
116245	Dynatec Applicator Filter Sleeve	911XX573
814007	Dynatec Tank/Vector Filter Sleeve 40 Mesh	911XX858
814009	Dynatec Tank/Vector Filter Sleeve 100 Mesh	911XX859

# 05

## COMPATIBLE HOSES

### Nordson-Meltex® TC Compatible Hoses

- Original TC hoses have two extra cables going from the tank side to the applicator to potentially energize the applicator solenoid directly from the tank.
- This feature is not of common use nowadays, that's why two versions are available.
- Hoses called HCP-MXTC have all the wires installed and are to be offered when energizing the solenoid directly from the tank through the hose dedicated wires.
- Hoses called HHX do not have the solenoid wiring, therefore these hoses are to be offered whenever the customer is not energizing the applicator solenoid through the hose dedicated wires. These hoses have a lower price.
- At this moment HHX hoses are only available in 1d8mm.



## REPLACEMENT CHARTS

### ID8MM PT100 COMPATIBLE HOSES

Nordson® PN#	Description	PN# HCX (W/O S)	Description	PN# HCP-MXTC	Description
222777	HOSE,TC-024-8,AUTO,PT100,230V	981XX902	HHX-Ø8-2,4 PT100	981XX303	HCP-MXTC/x-Ø8-2,4 PT100
222778	HOSE,TC-030-8,AUTO,PT100,230V	981XX903	HHX-Ø8-3,0 PT100	981XX304	HCP-MXTC/x-Ø8-3,0 PT100
222779	HOSE,TC-040-8,AUTO,PT100,230V	981XX904	HHX-Ø8-4,0 PT100	981XX346	HCP-MXTC/x-Ø8-4,0 PT100
222780	HOSE,TC-050-8,AUTO,PT100,230V	981XX905	HHX-Ø8-5,0 PT100	981XX356	HCP-MXTC/x-Ø8-5,0 PT100
222781	HOSE,TC-60-8,AUTO,PT100,230V	981XX906	HHX-Ø8-6,0 PT100	981XX348	HCP-MXTC/x-Ø8-6,0 PT100
222782	HOSE,TC-070-8,AUTO,PT100,230V	981XX907	HHX-Ø8-7,0 PT100	981XX349	HCP-MXTC/x-Ø8-7,0 PT100
222783	HOSE,TC-074-8,AUTO,PT100,230V			981XX350	HCP-MXTC/x-Ø8-7,4 PT100
222784	HOSE,TC-080-8,AUTO,PT100,230V	981XX908	HHX-Ø8-8,0 PT100	981XX351	HCP-MXTC/x-Ø8-8,0 PT100
222799	HOSE,TC-090-8,AUTO,PT100,230V	981XX909	HHX-Ø8-9,0 PT100	981XX352	HCP-MXTC/x-Ø8-9,0 PT100
222800	HOSE,TC-100-8,AUTO,PT100,230V	981XX910	HHX-Ø8-10,0 PT100	981XX353	HCP-MXTC/x-Ø8-10,0 PT100
222823	HOSE,TC-110-8,AUTO,PT100,230V	981XX911	HHX-Ø8-11,0 PT100	981XX358	HCP-MXTC/x-Ø8-11,0 PT100
222824	HOSE,TC-120-8,AUTO,PT100,230V	981XX912	HHX-Ø8-12,0 PT100	981XX354	HCP-MXTC/x-Ø8-12,0 PT100
222825	HOSE,TC-130-8,AUTO,PT100,230V	981XX913	HHX-Ø8-13,0 PT100	981XX355	HCP-MXTC/x-Ø8-13,0 PT100
1071822	HOSE,TC-140-8,AUTO,PT100,230V	981XX914	HHX-Ø8-14,0 PT100	981XX359	HCP-MXTC/x-Ø8-14,0 PT100
222826	HOSE,TC-150-8,AUTO,PT100,230V	981XX915	HHX-Ø8-15,0 PT100	986XX200	HCP-MXTC/x-Ø8-15,0 PT100

\*NOTE: There are longer & shorter hoses available. Not listed here.



## ID13MM PT100 COMPATIBLE HOSES

Nordson PN#	Description	PN# HCP-MXTC	Description
222787	HOSE,TC-024-13,AUTO,PT100,230V	986XX222	HCP-MXTC/x-Ø13-2,4 PT100
222788	HOSE,TC-030-13,AUTO,PT100,230V	986XX204	HCP-MXTC/x-Ø13-3,0 PT100
222789	HOSE,TC-040-13,AUTO,PT100,230V	986XX212	HCP-MXTC/x-Ø13-4,0 PT100
222790	HOSE,TC-050-13,AUTO,PT100,230V	981XX450	HCP-MXTC/x-Ø13-5,0 PT100
222791	HOSE,TC-60-13,AUTO,PT100,230V	981XX451	HCP-MXTC/x-Ø13-6,0 PT100
222792	HOSE,TC-070-13,AUTO,PT100,230V	981XX541	HCP-MXTC/x-Ø13-7,0 PT100
222793	HOSE,TC-074-13,AUTO,PT100,230V	981XX539	HCP-MXTC/x-Ø13-7,4 PT100
222794	HOSE,TC-080-13,AUTO,PT100,230V	981XX452	HCP-MXTC/x-Ø13-8,0 PT100
222795	HOSE,TC-090-13,AUTO,PT100,230V	986XX208	HCP-MXTC/x-Ø13-9,0 PT100
222796	HOSE,TC-100-13,AUTO,PT100,230V	981XX453	HCP-MXTC/x-Ø13-10,0 PT100
222817	HOSE,TC-110-13,AUTO,PT100,230V	981XX456	HCP-MXTC/x-Ø13-11,0 PT100
222818	HOSE,TC-120-13,AUTO,PT100,230V	981XX455	HCP-MXTC/x-Ø13-12,0 PT100
222819	HOSE,TC-130-13,AUTO,PT100,230V	981XX457	HCP-MXTC/x-Ø13-13,0 PT100
222828	HOSE,TC-140-13,AUTO,PT100,230V	981XX458	HCP-MXTC/x-Ø13-14,0 PT100
222827	HOSE,TC-150-13,AUTO,PT100,230V	986XX206	HCP-MXTC/x-Ø13-15,0 PT100
222829	HOSE,TC-160-13,AUTO,PT100,230V	981XX459	HCP-MXTC/x-Ø13-16,0 PT100

\*NOTE: There are longer & shorter hoses available. Not listed here.

## ID8MM FEKO COMPATIBLE HOSES

Nordson PN#	Description	PN# HCP-MXTC	Description
149103	HOSE, TC-024-8, AUTO 230V	981XX363	HCJ-MXTC/x-Ø8-2,4
149104	HOSE, TC-030-8, AUTO 230V	981XX364	HCJ -MXTC/x-Ø8-3,0
149105	HOSE, TC-040-8, AUTO 230V	981XX366	HCJ -MXTC/x-Ø8-4,0
149106	HOSE, TC-050-8, AUTO 230V	981XX367	HCJ -MXTC/x-Ø8-5,0
149107	HOSE, TC-60-8, AUTO 230V	981XX368	HCJ -MXTC/x-Ø8-6,0
222772	HOSE, TC-070-8, AUTO 230V	981XX369	HCJ -MXTC/x-Ø8-7,0
222773	HOSE, TC-074-8, AUTO 230V	981XX370	HCJ -MXTC/x-Ø8-7,4
222774	HOSE, TC-080-8, AUTO 230V	981XX371	HCJ -MXTC/x-Ø8-8,0
222775	HOSE, TC-090-8, AUTO 230V	981XX372	HCJ -MXTC/x-Ø8-9,0
222776	HOSE, TC-100-8, AUTO 230V	981XX373	HCJ -MXTC/x-Ø8-10,0
222820	HOSE, TC-110-8, AUTO 230V	981XX377	HCJ -MXTC/x-Ø8-11,0
222821	HOSE, TC-120-8, AUTO 230V	981XX376	HCJ -MXTC/x-Ø8-12,0
222822	HOSE, TC-130-8, AUTO 230V	981XX357	HCJ -MXTC/x-Ø8-13,0
	HOSE, TC-140-8, AUTO 230V	981XX332	HCJ -MXTC/x-Ø8-14,0
	HOSE, TC-150-8, AUTO 230V	981XX380	HCJ -MXTC/x-Ø8-15,0

\*NOTE: There are longer & shorter hoses available. Not listed here.



## ID13MM FEKO COMPATIBLE HOSES



Nordson PN#	Description	PN# HCP-MXTC	Description
222803	HOSE, TC-024-13, AUTO 230V	981XX463	HCJ-MXTC/x-Ø13-2,4
222804	HOSE, TC-030-13, AUTO 230V	981XX464	HCPJ-MXTC/x-Ø13-3,0
222805	HOSE, TC-040-13, AUTO 230V	981XX383	HCJ-MXTC/x-Ø13-4,0
222806	HOSE, TC-050-13, AUTO 230V	981XX467	HCJ-MXTC/x-Ø13-5,0
222807	HOSE, TC-60-13, AUTO 230V	981XX388	HCJ-MXTC/x-Ø13-6,0
222808	HOSE, TC-070-13, AUTO 230V	981XX388	HCJ-MXTC/x-Ø13-7,0
222809	HOSE, TC-074-13, AUTO 230V	981XX390	HCJ-MXTC/x-Ø13-7,4
222810	HOSE, TC-080-13, AUTO 230V	981XX472	HCJ-MXTC/x-Ø13-8,0
222811	HOSE, TC-090-13, AUTO 230V	981XX391	HCJ-MXTC/x-Ø13-9,0
222812	HOSE, TC-100-13, AUTO 230V	981XX392	HCJ-MXTC/x-Ø13-10,0
222814	HOSE, TC-110-13, AUTO 230V	981XX393	HCJ-MXTC/x-Ø13-11,0
222815	HOSE, TC-120-13, AUTO 230V	981XX394	HCJ-MXTC/x-Ø13-12,0
222816	HOSE, TC-130-13, AUTO 230V	981XX396	HCJ-MXTC/x-Ø13-13,0
	HOSE, TC-140-13, AUTO 230V	981XX397	HCJ-MXTC/x-Ø13-14,0
	HOSE, TC-150-13, AUTO 230V	981XX398	HCJ-MXTC/x-Ø13-15,0
	HOSE, TC-160-13, AUTO 230V	981XX399	HCJ-MXTC/x-Ø13-16,0

\*NOTE: There are longer & shorter hoses available. Not listed here.

## ITW DYNATEC® COMPATIBLE HOSES

### ID8MM

Dynatec PN#	Description	PN# HCP-DYCO	Description
101083	HOSE DYNAFLEX 6; Ø8-1.2	981XX036	HCP-DYCO/x-Ø8-1.2
101084	HOSE DYNAFLEX 6; Ø8-1.8	981XX140	HCP-DYCO/x-Ø8-1.8
101085	HOSE DYNAFLEX 6; Ø8-2.4	981XX037	HCP-DYCO/x-Ø8-2.4
101086	HOSE DYNAFLEX 6; Ø8-3.1	981XX173	HCP-DYCO/x-Ø8-3.0
101087	HOSE DYNAFLEX 6; Ø8-3.7	981XX038	HCP-DYCO/x-Ø8-3.6
		981XX039	HCP-DYCO/x-Ø8-4.2
101088	HOSE DYNAFLEX 6; Ø8-4.9	986XX044	HCP-DYCO/x-Ø8-5
102138	HOSE DYNAFLEX 6; Ø8-6	981XX337	HCP-DYCO/x-Ø8-6.0
		981XX284	HCP-DYCO/x-Ø8-7
101089	HOSE DYNAFLEX 6; Ø8-7.3	981XX957	HCP-DYCO/x-Ø8-7,2
		981XX139	HCP-DYCO/x-Ø8-8
105187	HOSE DYNAFLEX 6; Ø8-9.2	981XX958	HCP-DYCO/x-Ø8-9
		981XX235	HCP-DYCO/x-Ø8-10
106216	HOSE DYNAFLEX 6; Ø8-11	981XX291	HCP-DYCO/x-Ø8-11
105601	HOSE DYNAFLEX 6; Ø8-12	981XX258	HCP-DYCO/x-Ø8-12
		981XX292	HCP-DYCO/x-Ø8-13
809557	HOSE DYNAFLEX 6; Ø8-14	981XX174	HCP-DYCO/x-Ø8-14
		981XX293	HCP-DYCO/x-Ø8-15
		981XX294	HCP-DYCO/x-Ø8-16

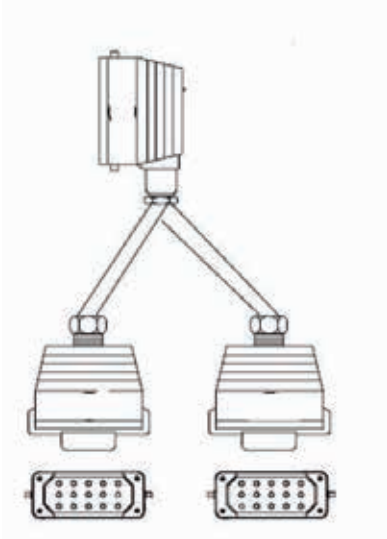
### OTHER HOSE MODELS:

- We also have compatible hoses with Nordson NK120 & ITW Challenger temperature sensor type.
- *CUSTOM HOSES ARE AVAILABLE ON REQUEST (Ø8 - Ø13 - Ø16 - Ø20).*

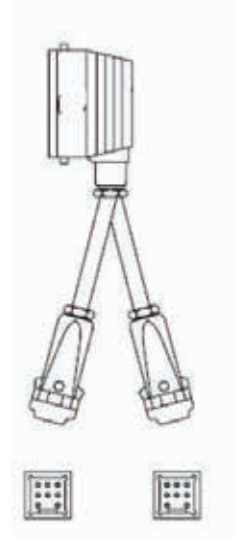
# 06

## EXTENSION CABLES

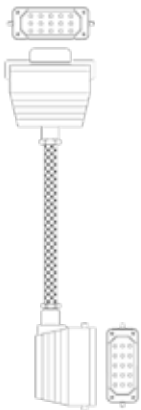
### M-STYLE COMPATIBLE CABLES (PT-100)



SPLITTER CABLE MELTER HOSE/HOSE 0,3M  
988XX354 replaces Nordson® 413913



SPLITTER CABLE MELTER APP/APP 0,3M  
988985 replaces Nordson® 291217



Nordson PN#	Valco Melton PN	Description
262 184	900XX905	Extension cable, M-style, hose cordsets, 4 m (13.1 ft)
267 055	900XX906	Extension cable, M-style, hose cordsets, 8 m (26.2 ft)
292 213	988XX396	Extension cable, M-style, hose cordsets, 10 m (32.8 ft)
292 212	900XX907	Extension cable, M-style, hose cordsets, 12 m (39.4 ft)
291 517	988XX453	Extension cable, M-style, hose cordsets, 15 m (49.2 ft)



Nordson PN#	Valco Melton PN	Description
265 217	900XX908	Extension cable, M-style, adhesive manifold cordsets, 5 m (16.4 ft)
261 411	900XX909	Extension cable, M-style, adhesive manifold cordsets, 7 m (23.0 ft)
268 242	900XX910	Extension cable, M-style, adhesive manifold cordsets, 8 m (26.2 ft)
264 467	988XX839	Extension cable, M-style, adhesive manifold cordsets, 10 m (32.8 ft)
446 703	900XX911	Extension cable, M-style, adhesive manifold cordsets, 12 m (39.4 ft)
265 216	900XX912	Extension cable, M-style, adhesive manifold cordsets, 20 m (65.6 ft)

\*Notes: a) We have several lengths available | b) We have also the same cables but for C-Style (Fe-Ko)

# 07

---

## GEAR PUMPS

### SINGLE AND DUAL STREAM COMPATIBLE GEAR PUMPS

- Our Single Stream pumps are made in stainless steel.
- Our Dual Stream pumps are manufactured in M2 High Speed Stainless Steel.
- Our Pumps are High Precision Gear Pumps.
- Our Gear Pumps have different capacity per revolution than the Nordson® Pumps. See the compatibility table below.

Valco Melton PN	Description	Nordson PN#	Comments
918XX068	COMPATIBLE GEAR PUMP 0.45CC	7109715	SN0030 Capacity 0,3cc MELTEX / ALTABLUE / VERSABLUE
918XX068	COMPATIBLE GEAR PUMP 0.45CC	729105	SN0046 Capacity 0,46cc MELTEX / ALTABLUE / VERSABLUE
918XX068	COMPATIBLE GEAR PUMP 0.45CC	7116270	SN0062 Capacity 0,62cc MELTEX / ALTABLUE / VERSABLUE
918XX702	COMPATIBLE GEAR PUMP 1CC	7104514	SN0093 Capacity 0,93cc MELTEX / ALTABLUE / VERSABLUE
918XX708	COMPATIBLE GEAR PUMP 2,5CC	203708	SN0186 Capacity 1,86cc MELTEX / ALTABLUE / VERSABLUE
918XX751	COMPATIBLE GEAR PUMP 4CC	729106	SN0371 Capacity 3,71cc MELTEX / ALTABLUE / VERSABLUE
918XX868	COMPATIBLE GEAR PUMP 8CC	729107	SN0773 Capacity 7,73cc MELTEX / ALTABLUE / VERSABLUE
918XX371	COMPATIBLE GEAR PUMP 2X0,2CC	7116580	DN0030 Capacity 2x0,3cc MELTEX / ALTABLUE / VERSABLUE
918XX372	COMPATIBLE GEAR PUMP 2X0,4CC	7104179	DN0046 Capacity 2x0,46cc MELTEX / ALTABLUE / VERSABLUE
913XX679	COMPATIBLE GEAR PUMP 2X0,6CC	7104180	DN0062 Capacity 2x0,62cc MELTEX / ALTABLUE / VERSABLUE
918XX373	COMPATIBLE GEAR PUMP 2X1,2CC	7116269	DN0093 Capacity 2x0,93cc MELTEX / ALTABLUE / VERSABLUE
918XX374	COMPATIBLE GEAR PUMP 2X2,4CC	7116268	DN0279 Capacity 2x2,79cc MELTEX / ALTABLUE / VERSABLUE
918XX375	COMPATIBLE GEAR PUMP 2X4,8CC	7116830	DN0557 Capacity 2x5,57cc MELTEX / ALTABLUE / VERSABLUE



